



SKID STEER STABILISER ATTACHMENT

PL 100.25
PL 60.25

SELF LEVELLING STABILISER

Stabiliser specially designed to grind and mix the road base material



FEATURES

STANDARD EQUIPMENT ON NZ MODELS

Direct cutter drive on piston motors	Independent RH-LH depth adjustment	Plug and play control
Hydraulic side shift	26deg self levelling angle	Water Spray Kit with tank built into frame
Transverse tilt	Electrohydraulic valves	

Water Spray Kit
With tank built into frame. Includes electro-pump, filter and sprayers. Reduces dust produced during milling operations

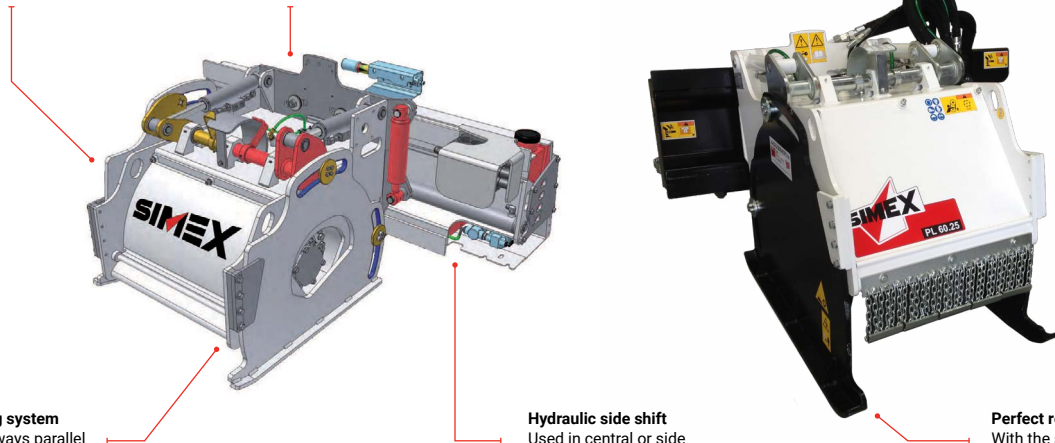
Self-calibrating
The device calibrates itself according to the maximum pressure of the prime mover carrying the attachment

Electrohydraulic valves controlled from operator's seat
for regulating flow also with 3-way connection to prime mover

Self-levelling system
Slides are always parallel to the surface; planing depth is always constant

Hydraulic side shift
Used in central or side position, to the right for milling flush to wall

Perfect retention of milled material
With the slides constantly gripping the surface, the milled material is prevented from being expelled



Self Levelling Stabiliser	Width (mm)	Hydraulic depth (mm)	Oil flow (L/min)		Pressure (BAR)	Operating weight (kg)	Tilt (degrees)
			min	max			
PL 100.25	1000	0 – 250	95	200	350 – 180	1700	26
PL 60.25	600	0 – 250	90	160	300 – 180	1200	26

